

# Arctic HOP-S BLADE

## Arctic Homeowner Plow Steel Blade 90"

 **Warning**

Do not exceed GVWR or GAWR, including blade and ballast. The rating label is found on the driver side vehicle door corners.

Lower the blade when the vehicle is parked. Temperature changes could change hydraulic pressure, causing the blade to drop unexpectedly or damaging hydraulic components. Failure to do this can result in serious personal injury.

Servicing the trip springs without special tools and knowledge could result in personal injury. See Arctic authorized dealer for service.

Inspect snowplow components and bolts for wear and damage when mounting or removing snowplow and before traveling.

Keep hands and feet clear of the blade, A-frame and cylinders when mounting or removing the snowplow. Moving or falling assemblies could cause personal injury. Never use a finger to check an alignment. Moving or falling assemblies could crush your finger.

Do not stand between the vehicle and the blade or within 10' of a moving blade. A moving or falling blade could cause personal injury.

To prevent accidental movement of the blade, always turn the control OFF whenever the snowplow is not in use.

**Warning**

Lower the blade when the vehicle is parked. Temperature changes could change hydraulic pressure, causing the blade to drop unexpectedly or damaging hydraulic components. Failure to do this can result in serious personal injury.

**Warning**

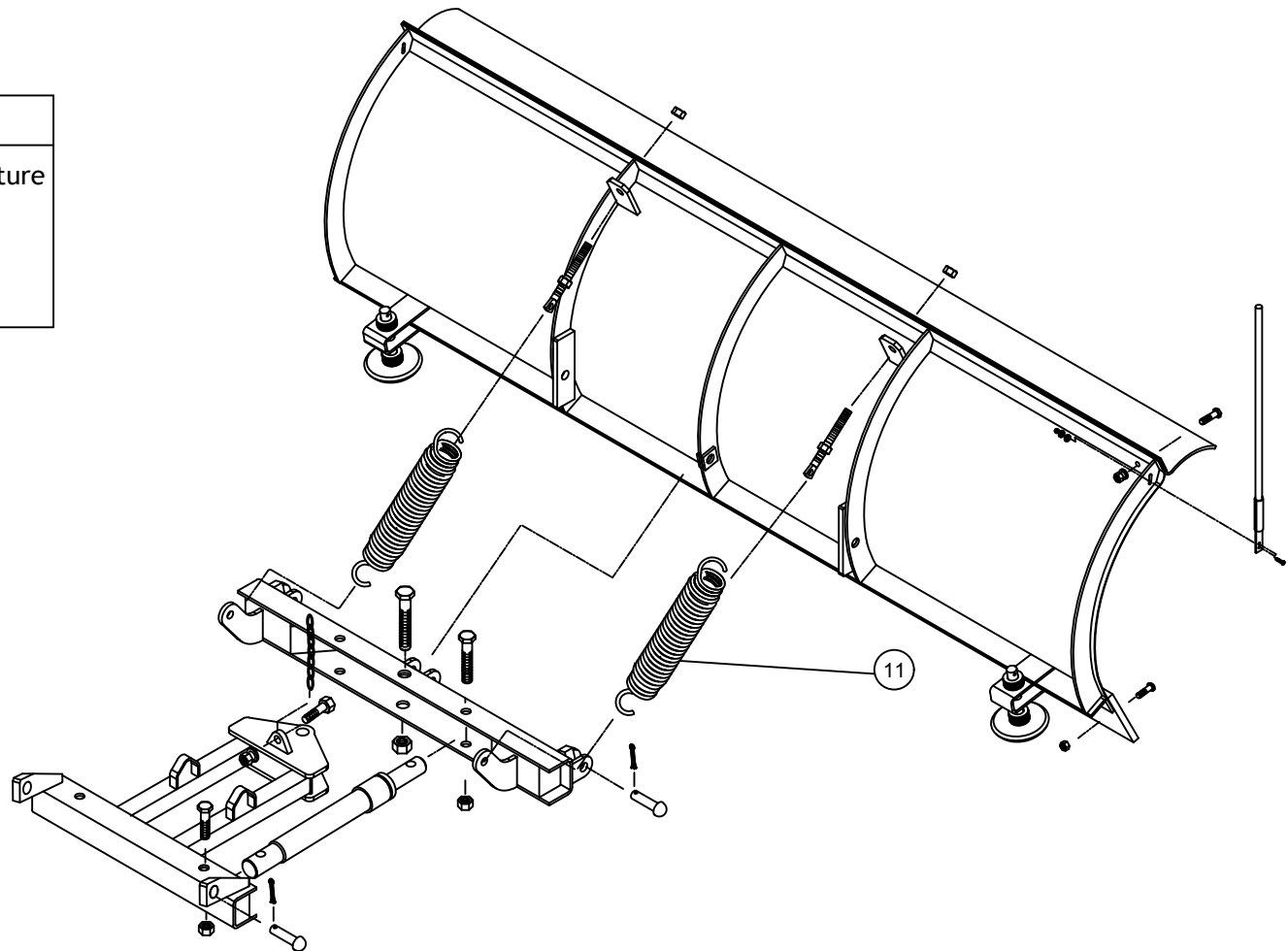
Do not exceed GVWR or GAWR, including blade and ballast. The rating label is found on the driver side vehicle door corners.

**Warning**

Inspect snowplow components for wear and damage when mounting or removing snowplow and before traveling.

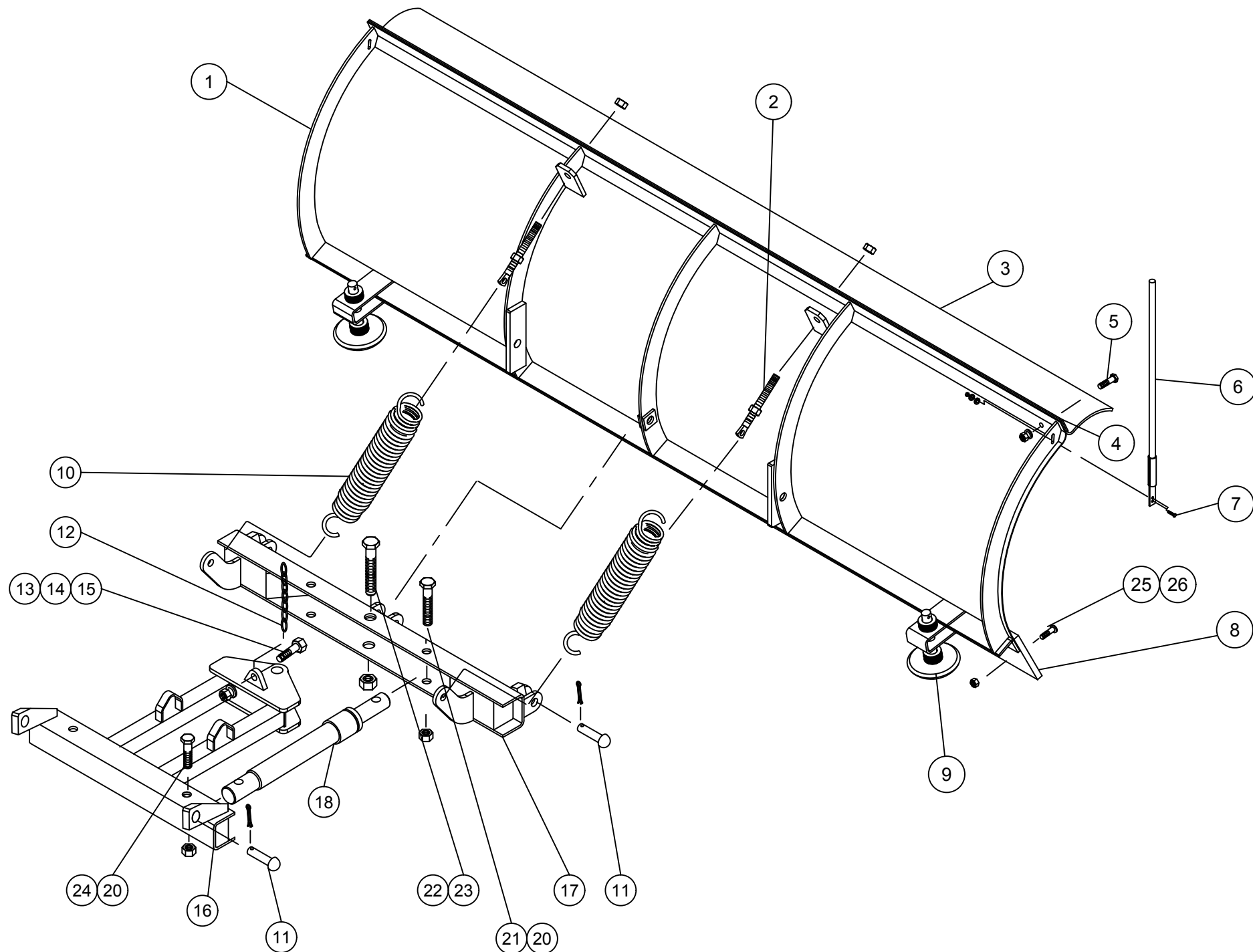
**Warning**

Keep hands and feet clear of the blade, A-frame and cylinders when mounting or removing the snowplow. Moving or falling assemblies could cause personal injury. Never use a finger to check an alignment. Moving or falling assemblies could crush your finger.



**Warning**

Do not stand between the vehicle and the blade or within 10' of a moving blade. A moving or falling blade could cause personal injury.



Homeowner Plow Steel Blade Assembly, Hardware kit, Power Angling Assembly					
Item	Part #	Description	Quantity		
			Blade 53769-M-GA	Hardware kit 53682-M	Power angling 53674-M
1	53769-M-GA	90" Blade Assembly c/w cutting edge	1		
2	50191-M	Eye Bolt Assembly		2	
3	52295-CR*	90" Curved Deflector	1		
4	52239-M-GA*	90" Strap	1		
5	52288-M*	Deflector Bolt Bag Kit	1		
6	50999-B	Blade Guides	2		
7	GB001	Guide Bolt Assembly	4		
8	53790-B	1"x4" Cutting Edge	1		
9	50037-B*	Shoe Assembly	2		
10	50180-C	Trip Spring		2	
11	50232-M	¾"x3 River Ass'y		5	
12	55018-02-M	Chain		1	
13	HH-00972-090	½"-20x1.1/2 Cap Screw		1	
14	HH-00460-002	½"-20 Hex Nut		1	
15	HH-00457-001	½" lock washer		1	
16	53677-D	T-frame			1
17	53675-D	Quadrant			1
18	CS-150-10.00 NRS	1.1/2"x10" Angling Cylinder			2
19	HH-00233-001	1/4-28 Grease Fitting			1

Homeowner Plow Steel Blade Assembly, Hardware kit, Power Angling Assembly					
Item	Part #	Description	Quantity		
			Blade 53769-M-GA	Hardware kit 53682-M	Power angling 53674-M
20	HH-00973-007	3/4" Hex Nut Nylon Insert			4
21	HH-00972-156	3/4"-16x4 1/2 Cap Screw			2
22	HH-00972-192	1"-14 x 5.1/2" Cap screw			1
23	HH-00540-009	1" Nylon Insert Locknut			1
24	HH-00972-153	3/4"-16x3.1/2 Cap s8 crew			2
25	HH-00971-138	1/2"x2" Carriage bolt	8		
26	HH-00340-003	1/2" Nylon Insert Locknut	8		

- Parts marked with \* are not included in the assembly.

### Installation Instructions

1. Lay blade face down on the floor. Attach quadrant (17) to blade by inserting rivets (11) through the holes in the quadrant lugs and blade ribs. Install the center one first. Secure the rivets with the cotter pins.

2. Take an eye bolt (2) and screw one 5/8" nut all the way down the thread. Attach spring (10) to the quadrant and the eye bolt, making sure the open end of the spring faces up on the quadrant.

Lift the quadrant and insert the eye bolt through the corresponding hole in the spring plate. Secure the eye bolt with another 5/8" nut. This will hold the quadrant in an upward position, and ease installation of the remaining spring and eye bolt.

3. Tighten the eye bolt upper nut until the spring coils just break loose from each other. Secure eye bolts in position by tightening the lower nut against the blade spring plate.

4. Lift chain (12) is attached by inserting a 1/2" bolt (13) through the last link and in the hole in the T-frame lifting bar. Tighten a 1/2" nut (14) and lock washer (15) firmly from the face side of the lifting bar.

To attach snowplow to vehicle mount, proceed as follows:

1. Position the vehicle such that the T-frame lugs and vehicle mount are in vertical alignment.
2. Hook the chain into the lift channel slot.
3. Actuate lift cylinder slowly. Blade will remain on the ground, but the T-frame will begin to rise. Continue until the T-frame lug holes align with the holes on the vehicle mount.
4. Insert the spreader pins (11) through the holes to attach the T-frame to the vehicle mount. Secure attachment by inserting cotter pins into the spreader pins.
5. With the control switch in the DOWN position, push the lift channel downward as far as possible and adjust the chain so there are two links of slack.

Arctic Equipment Manufacturing Corporation reserves the right under its product improvement policy to change construction or design details and furnish equipment when so altered without reference to illustrations or specifications used.